

FRONT VIEW

REV	DESCRIPTION	DATE	APPROVAL

Part Number	Lug Size	Size
301050	Small	1/2"
301075	Small	3/4"
301100	Small	1"
301125	Small	1-1/4"
302125	Medium	1-1/4"
301150	Small	1-1/2"
302150	Medium	1-1/2"
301200	Small	2"
302200	Medium	2"
302250	Medium	2-1/2"
303250	Large	2-1/2"
302300	Medium	3"
303300	Large	3"
302350	Medium	3-1/2"
303350	Large	3-1/2"
302400	Medium	4"
303400	Large	4"



Primary Materials: Zinc Die Cast

Finish: Ball Burnished, mirror smooth

Description: Ground Bushing, Pull Bushing, and Locknut all in one connector, with Universal threads for all manufactures connectors. Includes Bushing, Lug, Screws & Insulator

Sizes Available: .5", .75", 1" 1.25" 1.5" 2" 2.5" 3" 3.5" 4"

Application: Used to terminate all conduits from panels to junction boxes, 1900 boxes and troughs. Split plastic insulator installs after the pull to prevent damage to wire insulation.

Specs: Zinc Bushing

Plastic insulator rated to 105° C (Optional)

UL File# 360209

File # E335817

US Patent # 7868252-82

Country of Origin USA



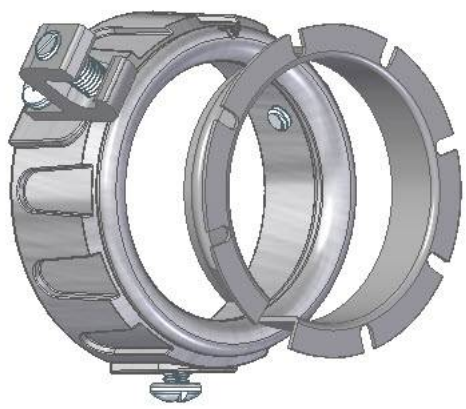
Release Approval:	Tolerances: .X = +/- 0.02in .XX = +/- 0.01in .XXX = +/- .005in Unless Otherwise Specified
Release Date:	Proprietary Rights: All information that is contained within is proprietary. Not for unauthorized use or disclosure.
Customer Approval:	

Title: Ground Bushing, Pull Bushing			
Size: A	Scale: None	Part Number:	Rev: RO
Date:	Drawn by RO X		
Drawing Number	Sheet 1 of X		

FRONT VIEW

REV	DESCRIPTION	DATE	APPROVAL

Part Number	Lug Size	Size
401050	Small	1/2"
401075	Small	3/4"
401100	Small	1"
401125	Small	1-1/4"
402125	Medium	1-1/4"
401150	Small	1-1/2"
402150	Medium	1-1/2"
401200	Small	2"
402200	Medium	2"
402250	Medium	2-1/2"
403250	Large	2-1/2"
402300	Medium	3"
402350	Large	3"
402350	Medium	3-1/2"
403350	Large	3-1/2"
402400	Medium	4"
403400	Large	4"



Primary Materials: Zinc Die Cast

Finish: Ball Burnished, mirror smooth

Description: Ground Bushing, Pull Bushing, Threadless. Comes with Lug, Screws & Insulator

Sizes Available: .5", .75", 1" 1.25" 1.5" 2" 2.5" 3" 3.5" 4"

Application: Used to terminate all conduits from panels to junction boxes, 1900 boxes and troughs. Split plastic insulator installs after the pull to prevent damage to wire insulation.

Specs: Zinc Bushing

Plastic insulator rated to 105° C (Optional)

UL File# 360209

File # E335817

US Patent # 7868252-82

Country of Origin USA



Release Approval:	Tolerances: .X = +/- 0.02in .XX = +/- 0.01in .XXX = +/- .005in Unless Otherwise Specified
Release Date:	Proprietary Rights: All information that is contained within is proprietary. Not for unauthorized use or disclosure.
Customer Approval:	

Title: Ground Bushing, Pull Bushing, Threadless			
Size: A	Scale: None	Part Number:	Rev: RO
Date:		Drawn by RO X	
Drawing Number		Sheet 1 of X	

FRONT VIEW

REV	DESCRIPTION	DATE	APPROVAL

Primary Materials: Zinc Die Cast

Finish: Ball Burnished, mirror smooth

Description: Pull Bushing, Locknut all in one connector, with Universal threads for all manufactures connectors

Sizes Available: .5", .75", 1" 1.25" 1.5" 2" 2.5" 3" 3.5" 4"

Application: Used to terminate all conduits from panels to junction boxes, 1900 boxes and troughs. Split plastic insulator installs after the pull to prevent damage to wire insulation. (Sold Separately)

Specs: Zinc Bushing

Plastic insulator rated to 105° C

UL File# 360209


File # E335817

US Patent # 7868252-82

Country of Origin USA

Part Number	Size
100050	1/2"
100075	3/4"
100100	1"
100125	1-1/4"
100150	1-1/2"
100200	2"
100250	2-1/2"
100300	3"
100350	3-1/2"
100400	4"







Title: Pull Bushing, Locknut

Size: A	Scale: None	Part Number:	Rev: RO
Date:		Drawn by RO X	
Drawing Number		Sheet 1 of X	

Release Approval:	Tolerances: X = +/- 0.02in .XX = +/- 0.01in .XXX = +/- .005in Unless Otherwise Specified
Release Date:	Proprietary Rights: All information that is contained within is proprietary. Not for unauthorized use or disclosure.
Customer Approval:	

FRONT VIEW

REV	DESCRIPTION	DATE	APPROVAL

Primary Materials: Zinc Die Cast

Finish: Ball Burnished, mirror smooth

Description: Pull Bushing, Threadless. Fits, PVC and EMT pipe. No compression fitting needed.

Sizes Available: .5", .75", 1" 1.25" 1.5" 2" 2.5" 3" 3.5" 4"

Application: Used to terminate all conduits from panels to junction boxes, 1900 boxes and troughs. Split plastic insulator installs after the pull to prevent damage to wire insulation. (Sold Separately)

Specs: Zinc Bushing

Plastic insulator rated to 105° C

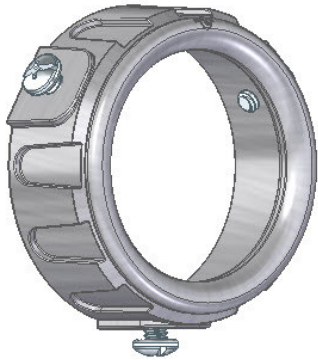
UL File# 360209


File # E335817


US Patent # 7868252-82

Country of Origin USA

Part Number	Size
200050	1/2"
200075	3/4"
200100	1"
200125	1-1/4"
200150	1-1/2"
200200	2"
200250	2-1/2"
200300	3"
200350	3-1/2"
200400	4"







Title: Pull Bushing, Threadless

Size: A	Scale: None	Part Number:	Rev: RO
Date:		Drawn by RO X	
Drawing Number		Sheet 1 of X	

Release Approval:	Tolerances: X = +/- 0.02in .XX = +/- 0.01in .XXX = +/- .005in Unless Otherwise Specified
Release Date:	Proprietary Rights: All information that is contained within is proprietary. Not for unauthorized use or disclosure.
Customer Approval:	